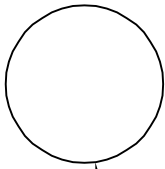
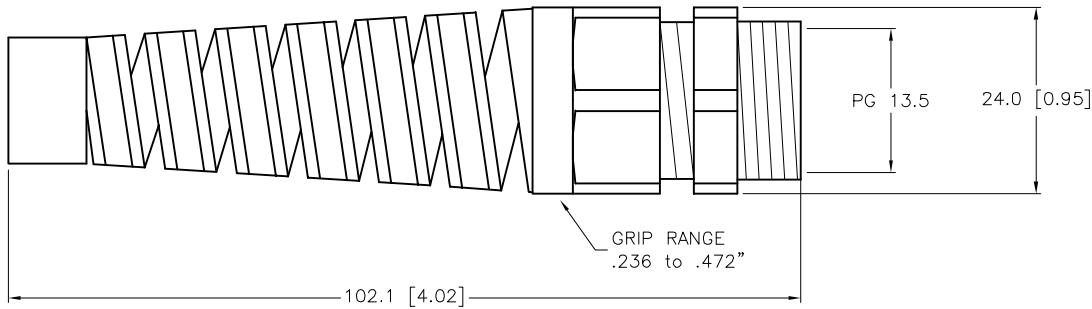



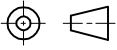
MOUNTING HOLE



∅20.4 [∅0.80]



SOURCE DRAWING - FOR REFERENCE ONLY

RELATED DOCUMENTS		3RD ANGLE PROJECTION		THIS DRAWING IS CONFIDENTIAL AND THE PROPERTY OF TURCK INC. USE OF THIS DOCUMENT WITHOUT WRITTEN PERMISSION IS PROHIBITED.		 3000 CAMPUS DRIVE MINNEAPOLIS, MN 55441 1-800-544-7769 (763) 553-7300 (763) 553-0708 fax www.turck.us	
1. 2. 3. 4.				DRFT	JB	DATE	03/01/00
MATERIAL		ALL DIMENSIONS DISPLAYED ON THIS DRAWING ARE FOR REFERENCE ONLY		DSGN		SCALE	1=1.0
NYLON -30°C to 100°C		CONTACT TURCK FOR MORE INFORMATION		UNIT OF MEASUREMENT		DESCRIPTION	
FINISH				MILLIMETER [INCH]		SRF-PG 13.5	
				DO NOT SCALE THIS DRAWING		IDENTIFICATION NO.	
						U6430	
						REV	
						A	
A DRAWING RELEASE		RDS 01/14/09				FILE: U6430	
REV DESCRIPTION		BY DATE ECO NO.				SHEET 1 OF 1	

A	DRAWING RELEASE	RDS	01/14/09	
REV	DESCRIPTION	BY	DATE	ECO NO.